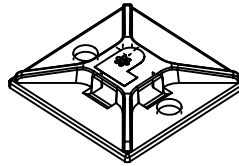
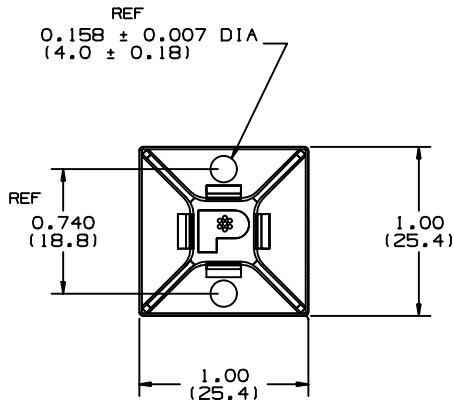


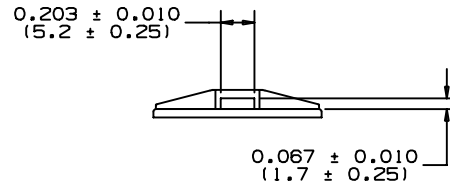
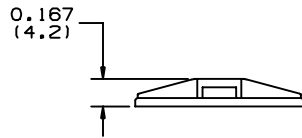
THIS COPY IS PROVIDED ON A RESTRICTED BASIS AND IS NOT TO BE USED IN ANY WAY DETRIMENTAL TO THE INTERESTS OF PANDUIT CORP.

* PANDUIT PART NO.	REC'M FASTENER	USE WITH THESE CABLE TIE CROSS SECTIONS	WEIGHT lbs(g)/100 PCS.	MATERIAL
ABM2S-S6	#6 (M3) SCREW	MINIATURE INTERMEDIATE STANDARD	0.22 (102.0)	ABS



**NOTES:**

- \*1. SEE CURRENT PRICE SHEET FOR PART NUMBER SUFFIX DESIGNATIONS FOR PACKAGE SIZE AND PART COLOR.



DIMENSIONS IN BRACKETS ARE METRIC [ mm ]

CAD FILENAME/LAYERS GB0239BX\_PB\_ABM2S-S6-69\_04

**PANDUIT**

CORP. TINLEY PARK, ILLINOIS

ABM2S-S6  
4 WAY CABLE TIE MOUNT

UNLESS OTHERWISE SPECIFIED,  
DIMENSIONAL TOLERANCES ARE:  
(.X) ±0.05 (1.3) (.XXX) ±0.010 (0.25)  
(.XX) ±0.02 (0.5) ANGLES ± 5°

UNLESS OTHERWISE SPECIFIED,  
ALL DIMENSIONS ARE GIVEN  
IN INCHES, THIRD ANGLE PROJECTION.

DRAWN BY C JG

MAT'L:

SCALE FULL

DATE 5-14-96

SEE TABLE

DRAWING NO.

GB0239BX

DRG

A  
SIZE

REV	DATE	BY	CHK	DESCRIPTION	ECN	R	CUST	SUP
4	6/26/01	LGG		ADDED REF AND UPDATED FOR WEB	GB0239BX	4		
3	9-15-97	CGSM		REMOVED ABM2S-S6-69 INFO. FROM DRAWING	GB0239BX	3		
2	12-16-96	AJV		CHANGED HOLE SPACING FROM .700 TO .740	GB0239BX	2		
				CHANGED LENGTH FROM 1.005 TO 1.00	GB0239BX			
1	12-9-96	AJV		ADDED ABM2S-S6, MATERIAL TABLE	GB0239BX	1		
R	5-14-96	CJG		INITIAL RELEASE	GB0239BX	R		